

Supplement of Earth Syst. Dynam., 10, 379–452, 2019
<https://doi.org/10.5194/esd-10-379-2019-supplement>
© Author(s) 2019. This work is distributed under
the Creative Commons Attribution 4.0 License.



Supplement of

ESD Reviews: Climate feedbacks in the Earth system and prospects for their evaluation

Christoph Heinze et al.

Correspondence to: Christoph Heinze (christoph.heinze@uib.no)

The copyright of individual parts of the supplement might differ from the CC BY 4.0 License.

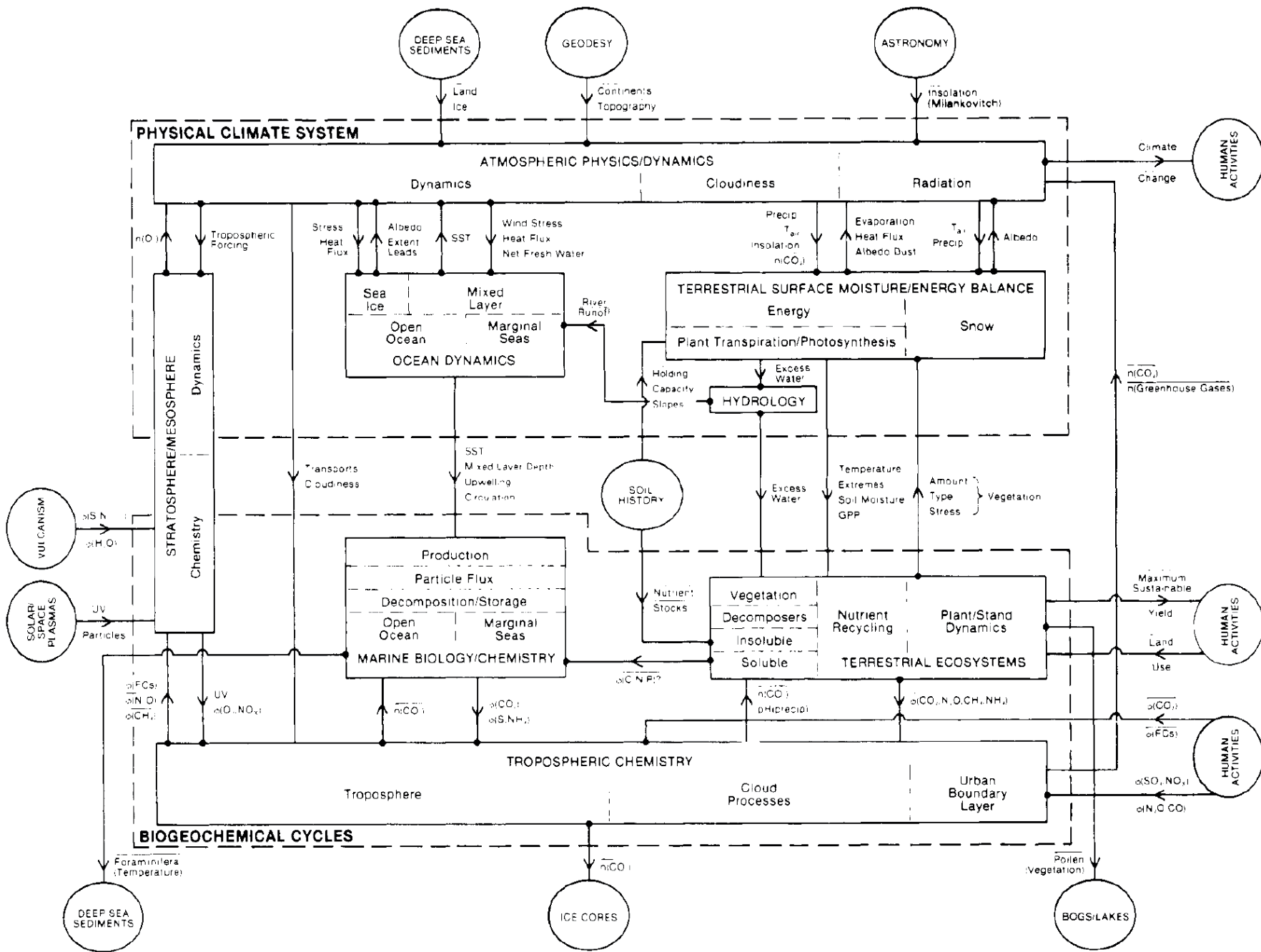


Figure S1: Detailed schematic of an Earth system model ("Bretherton diagram"). © [1985] IEEE. Reprinted, with permission, from Bretherton, F. P.: Earth System Science and Remote-Sensing, P. IEEE, 73, 1118–1133, <https://doi.org/10.1109/Proc.1985.13242>, 1985."